

PRINTRONIX®
AUTO ID

T8000

THERMAL PRINTERS

POWERFUL

RELIABLE

PROVEN





The T8000 is the premier high-end thermal printer.

With unmatched industrial performance, easy to use, and 100% verifiable output, the T8000 exceeds the requirements of the most demanding mission critical manufacturing and distribution operations.



EASY-TO-USE

- New 3.4" full color display panel with easy to use navigation keys
- Most extensive library of print emulations in the industry, now includes Postscript/PDF printing
- Intuitive printer setup, print quality, and self-help wizard
- Easily accessible side media loading
- Quick Change Memory Card stores printer configuration and network settings for easy installation of new printers



INDUSTRIAL PERFORMANCE

- Seamless integration & connectivity with robust remote printer management
- 40% faster print speed, 6x faster processing speed, and 8x more memory than the competition
- Rugged design for the most demanding global customers and the harshest environments
- Energy Star compliant



VERIFIABLE OUTPUT

- Eliminate compliance fines and chargebacks with Online Data Validator (ODV) to produce 100% scannable barcodes every time
- Automatic capture of statistics that can be used as certification stamp and audit
- Fully integrated solution with the ability to retract, void, and reprint labels automatically

Rugged design with industry leading capabilities to print PostScript/PDF, print in sub-zero temperatures without heated enclosures, all while remotely managing your environments with PrintNet Enterprise.

CONNECTIVITY ANYWHERE

- Experience unrestrained networking power anywhere on your premises
- Increase productivity by printing labels and barcodes at points of need
- Various connectivity options available with latest wireless security protocols
- Robust networking capabilities and support for both 2.4 GHz and 5.0 GHz frequency bands
- Hi-res, icon-based color panel displays instant and easily visible printer status
- Availability of industrial PrintCart, to extend mobility and connectivity

POSTSCRIPT/PDF

- First to offer Postscript/PDF for thermal printing
- Seamless connectivity of PostScript/PDF files for quick deployment
- Supports the latest ERP systems, and Plug-n-Play with native SAP Drivers

HARSH ENVIRONMENT

- Reliable performance in sub-zero environments without a heated enclosure. -5C for direct thermal and 5C for thermal transfer
- Cold supply chain customers can realize cost savings on heated enclosures and energy consumption
- Ability to handle dirt, grime, humidity, and extreme temperatures found in manufacturing, warehouse, and distribution centers around the globe

PRINTNET ENTERPRISE

- Robust remote printer management to monitor printers and virtual control panel to configure from anywhere in the world
- Designate events and be alerted of printer issues via email, pager or mobile phone alerts
- Complete compatibility with any Printronix Auto ID product

EXCLUSIVE SOLUTIONS

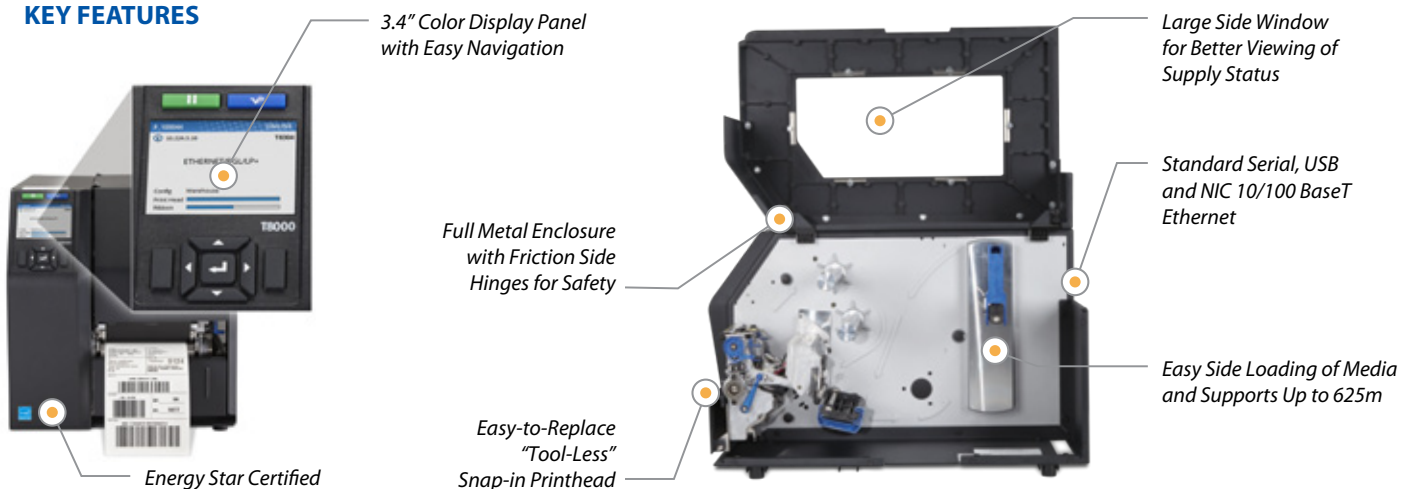


Online Data Validator (ODV)



Powered Mobile Print Cart

KEY FEATURES



T8000

SPECIFICATIONS



PRODUCT BENEFITS

- * High performance ARM Cortex-A9
- * Die-cast aluminum frame w/metal door
- * Transfer and direct printing
- * 4", 6", and 8" model configurations
- * Premium Asian and Andale font support
- * State-of-the-art WiFi connectivity
- * Available in 203 DPI and 300 DPI
- * Dual motor ribbon drive system
- * 512MB RAM / 128MB Flash Memory
- * 4-32 GB SD memory card capability
- * ENERGY STAR Certified

PRINTER SPECIFICATIONS

Max Print Speed (4"/6"/8")	14/12/10 IPS @ 203 DPI; 12/10/8 IPS @ 300 DPI
Print Method	Transfer and Direct
Resolution	203 DPI or 300 DPI
Max. Print Width	4.1" (104mm) / 6.6" (168mm) / 8.5" (216mm)
Printer Memory	512MB RAM / 128MB Flash

MEDIA SPECIFICATIONS

Media Type	Roll or Fan-Fold Labels, Tags, Paper, Film, Tickets
Min. Media Width (4"/6"/8")	1" (25.4mm) / 2" (50.8mm) / 3" (76.2mm)
Max. Media Width	4.5" (114.3mm) / 6.8" (172.7mm) / 8.75" (222.2mm)
Min. Media Length	0.25" / 1.0" (Continuous/Tear-Off) / 0.5" (Peel-Off)
Max. Media Length	Up to 99"
Media Thickness	2.5mm (0.0025") to 10mm (0.010")
Media Roll Core Diameter	1.5" (37.5mm) to 3.0" (76mm)
Max. Media Roll Diameter	8.0" (209mm)
Media Sensing	Gap, Mark, Advanced Gap, Advanced Notch

RIBBON SPECIFICATIONS

Ribbon Type	Wax, Wax/Resin, Resin
Min. Ribbon Width (4"/6"/8")	1" (25.4mm) / 2" (50.8mm) / 3" (76.2mm)
Max. Ribbon Width (4"/6"/8")	4.5" (114.3mm) / 6.8" (172.7mm) / 8.75" (222.2mm)
Max. Ribbon Length	625 Meters

PHYSICAL CHARACTERISTICS

Width (4"/6"/8")	11.7" (297.2mm) / 13.4" (340.4mm) / 15.4" (391.2mm)
Height (4"/6"/8")	13" (330.2mm) / 13" (330.2mm) / 13" (330.2mm)
Depth (4"/6"/8")	20.5" (520.7mm) / 20.5" (520.7mm) / 20.5" (520.7mm)
Printer Weight (4"/6"/8")	37 lbs. (16.7Kg.) / 40 lbs. (18.1 Kg.) / 43 lbs. (19.5Kg.)
Shipping Weight (4"/6"/8")	46 lbs. (20.8Kg.) / 49 lbs. (22.2 Kg.) / 52 lbs. (23.6Kg.)

PRINTER LANGUAGE

IGP Languages	PGL/VGL/ZGL/TGL/IGL/STGL/DGL/IEGL/MGL
Line Printer Plus Languages	P-Series + XQ, Proprinter, Serial Matrix, Epson
Job Control Languages	PJL, XML, and PTX-SETUP
Optional Languages	IPDS TN5250/TN3270 PDF Level 1.7, Postscript Level 3

COMMUNICATION AND CONNECTIVITY / INTERFACE

Standard Interface I/O	Serial RS232, USB, and Ethernet 10/100Base T
Optional Interface I/O	Parallel, WiFi (802.11a/b/g/n), GPIO
WiFi Security Protocol	WEP 40/128bit, WPA Personal (TKIP), WPA2 Personal (AES/CCMP), EAP-PEAP, EAP-TTLS, PEAPv0/EAP-MSCHAPv2, EAP-TLS

BARCODE VALIDATION

Online Data Validator (ODV)	Validates, Grade, Report, and Overstrike Barcodes Supports 1D Barcodes (Picket Fence)
-----------------------------	--

MEDIA HANDLING MODES

Standard Options	Continuous, Tear-Off Strip, Tear-Off Peel-Off, Cut, and Rewind
------------------	--

OPERATING ENVIRONMENT

Operating Temperature	Direct Thermal w/o accessories: 23 to 104F (-5 to 40C) Thermal Transfer: 40 to 104F (5 to 40C)
Operating Humidity	20-85% Non-Condensing
Storage Temperature	23 to 140 F (-5 to 60 C)
Storage Humidity	5 to 85% Non-Condensing

POWER REQUIREMENT

Line Input	Auto Range 90 - 264 VAC (48 - 62 Hz)
------------	--------------------------------------

REGULATORY COMPLIANCES

Emissions	FCC, CE, CCC
Safety	cTUVV, CE, EAC, SABS, RCM, CCC, KC, S-MARK, NOM
Environmental	RoHS, WEEE, Energy Star

BARCODE SYMBOLOGIES

1D Barcodes	BC-412, Code 11, Code 39, Code 35, Code 93, Codabar, Code128 Subsets A/B/C, Industrial 2 of 5, Interleave 2 of 5, German I-2/5, EAN-8, EAN-13, UCC/EAN-128, UPC-A, UPC-E, UPCSHIP, UPS 11, MSI, Matrix 2 of 5, PLESSEY, POSTNET, 4-state PostBar, Australian 4-state, FIM, ITF14, TELEPEN, PLANET, USPS Intelligent Mail, LOGMARS
2D Barcodes	PDF-417, MicroPDF-417, Maxicode, DataMatrix, QR Codes, Aztec, GS1 Databar (RSS-14)

FONT, GRAPHIC SUPPORT

Graphic Formats	PCX, TIFF, BMP, PNG
Font Technologies	Intellifont, TrueType, Unicode
Standard Fonts	OCR-A, OCRB, Courier, Letter Gothic, CG Times, CG Triumvirate/Bold/Condensed
Asian Fonts (Optional SD card)	Simplified Chinese, Japanese, and Korean
Andale Fonts (Optional SD card)	Simplified Chinese, Traditional Chinese, Korean, Japanese
PDF/ PostScript Level 3	35 Fonts

REMOTE MANAGEMENT SOFTWARE

PrintNet Enterprise Suite	Enterprise Grade Remote Management Solution
---------------------------	---

OPTIONS AND ACCESSORIES

* WiFi 802.11 a/b/g/n (US/EU/CAN)	* Rewind 4"/6"/8"
* Parallel Port Card	* Heavy Duty Cutter 4"/6"/8"
* GPIO	* Peel & Present 4"/6"/8"
* TN5250	* Premium Asian Font Cards
* PDF/PostScript	* Premium Andale Font Cards
* IPDS	* QCMC (SD Quick Change Memory Card)
* Online Data Validator (ODV)	



Contact your local Printronix Auto ID authorized reseller.



CALIFORNIA LABEL PRODUCTS
Brand Identity | Label Solutions

info@californialabel.com
(310) 523-5800
www.clp.global

PRINTRONIX
AUTO ID

printronixautoid.com



© 2016 Printronix Auto ID Technology, Inc. All rights reserved. Printronix Auto ID Technology, Inc. and all product names, numbers and logos are trademarks or registered trademarks of Printronix, Inc. Product appearance and/or specifications are subject to change without notice. Windows® is a registered trademark of Microsoft Corporation™ in the United States and other countries. All other trademarks, product names and company names and logos herein, are the property of their respective owners. PXTAXI 8000 v1 (3/16)